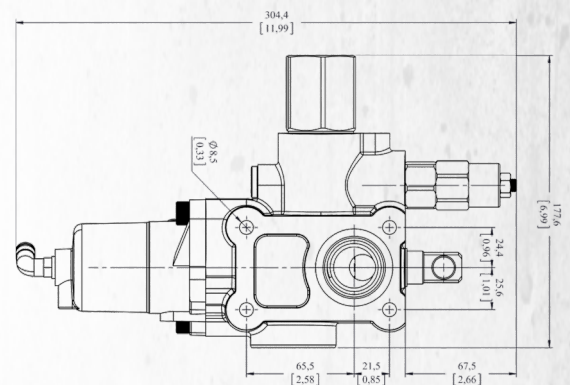
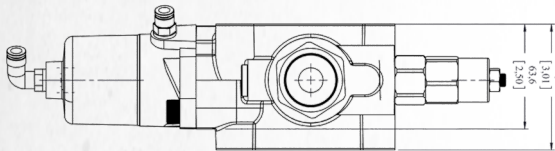
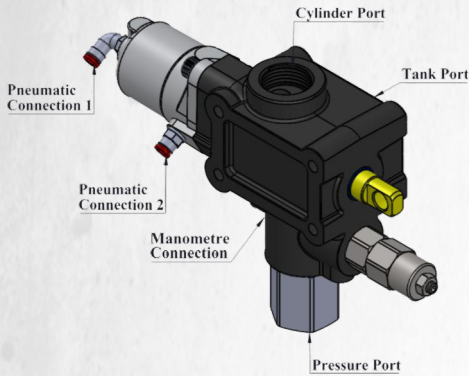
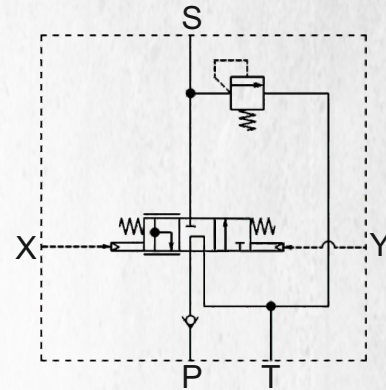

**Directional Check Valve 4B**


<b>CODE</b>	<b>34PA104B</b>
Nominal Flow Displacement	140 l/min
Pilot Pressure	6-12 Bar
Tank Pressure	30 Bar
Maximum Operating Pressure	190 Bar
Maximum Peak Pressure	250 Bar
<b>Weight</b>	<b>4,3 Kg</b>
Oil Temperature with NBR seals	-20 to 80C°
Oil Viscosity-Operating Range Minimum/Maximum	from 10-75 mm <sup>2</sup> /s -10/400 mm <sup>2</sup> /s from 10-75 cSt -10/400 cSt
Oil Filtration	≤ 30μ
Ambiant Temperature Range	-35 to 80C°
Internal Leakage at 100 Bar, 40C° , 46cSt. A(B)-T	3cm <sup>3</sup> /min 0,18 in <sup>3</sup> /min
Max. Level of Contamination	19/16 - ISO 4406

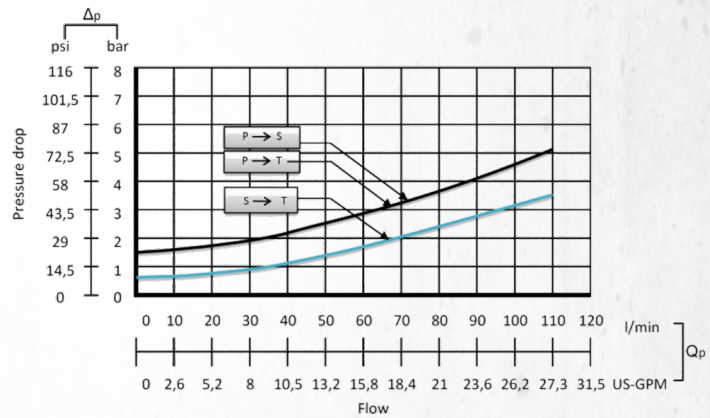
Not: This catalogue shows technical specifications measured with mineral oil of 46 mm<sup>2</sup>/s-46 cSt viscosity at 40 C° temperature



Port	34PA104B
P-Pressure port	G1" (G 3/4)
S-Cylinder port	G1" (G 3/4)
T-Tank port	G1" (G 3/4)
X-Y Pneumatic	G1/8" (Ø6)

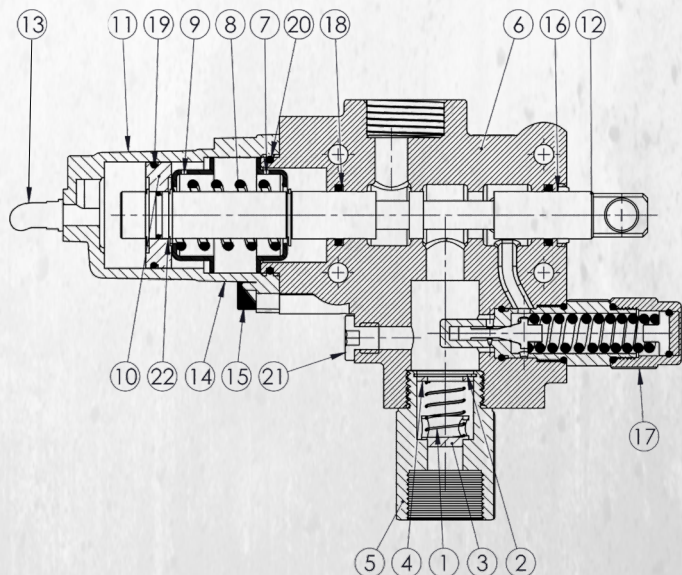


Pressure Range Options:  
 - Range 0-80 Bar - Setting 80 Bar  
 - Range 60-200 Bar - Setting 120 Bar



Hydraulic Circuit and Diagram

No	Part Name	Description	Quantity
1	Check Valve Spring		1
2	Retainer	Din 472 - Ø 24	1
3	Check Valve Thrust Part		1
4	Check Valve Washer		1
5	1" Tipping Check Valve Coupling		1
6	4B Tipping Base		1
7	Thin Cup		1
8	Cup Spring		1
9	Thick Cup		1
10	Pneumatic Piston		1
11	Tipping Pneumatic Cover		1
12	4B Tipping Spool		1
13	Pneumatik Coupling	1/8-6 Elbow	1
14	Pneumatik Coupling	1/8-6 Straight	1
15	DIN 972 Bolt	M8x20	2
16	Wipers	20 X 28 X 7/4	1
17	Pressure Relief Valve		1
18	O-RING	20x3	2
19	O-RING	40x2,5	1
20	O-RING	44x3	1
21	Plug	BSP 3/8"	1
22	Retainer	Din 472 - Ø 20	3



Section View